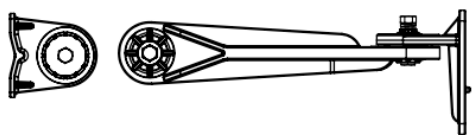

MA-MNT-ANT-2 Installation Guide

Overview

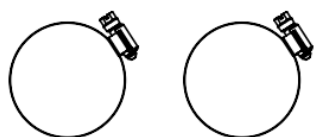
The MA-MNT-ANT-2 is an extra-long mounting arm designed for the MA-ANT-3-E* and MA-ANT-3-F* wide patch and narrow patch antennas.

Package Contents

The MA-MNT-ANT-2 is designed with an articulating, extended-length arm that allows for mounting the MA-ANT-3-E* and MA-ANT-3-F* patch antennas to wall and ceiling surfaces. The mount comes with 5° mounting marks for precise coverage angles.



Extra-Long Adjustable Arm

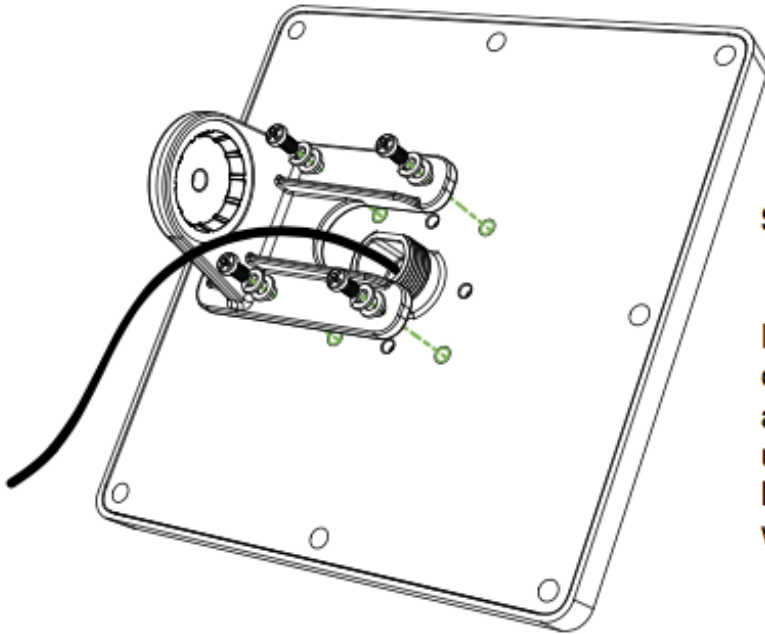


78-101mm Hose Clamps



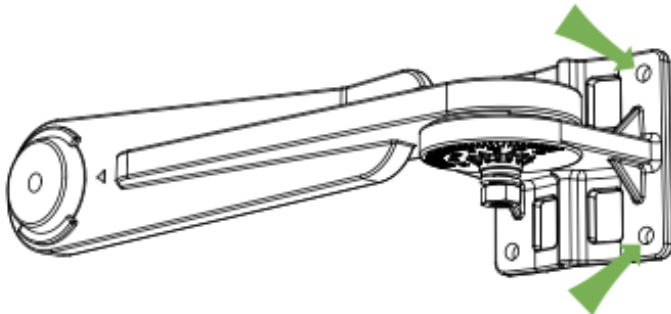
Mounting and Assembly Hardware

Installation



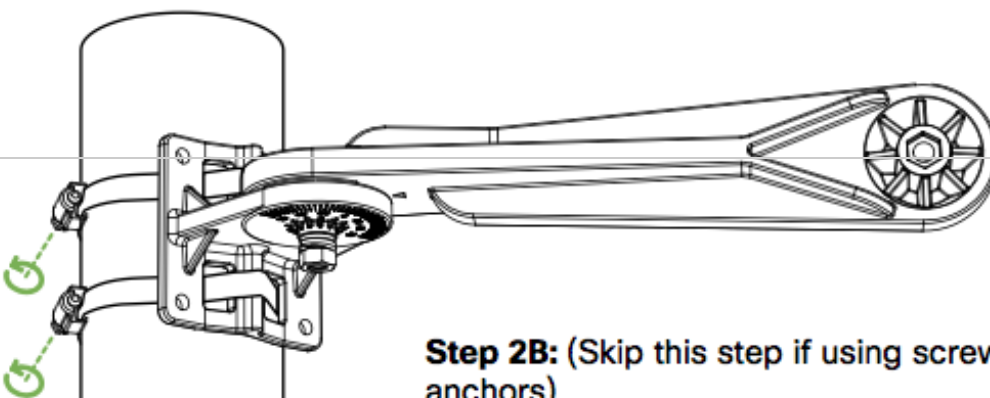
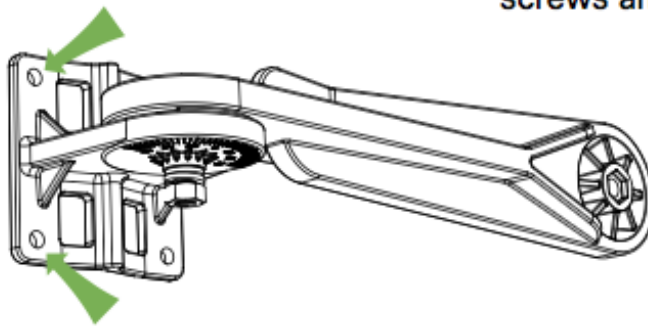
Step 1:

Fasten the MA-ANT-3-E or MA-ANT-3-F series antenna to the bracket using the 4x M6 bolts, 4x lock washers, and 4x flat washers provided.



Step 2A: (Skip this step if using hose clamps)

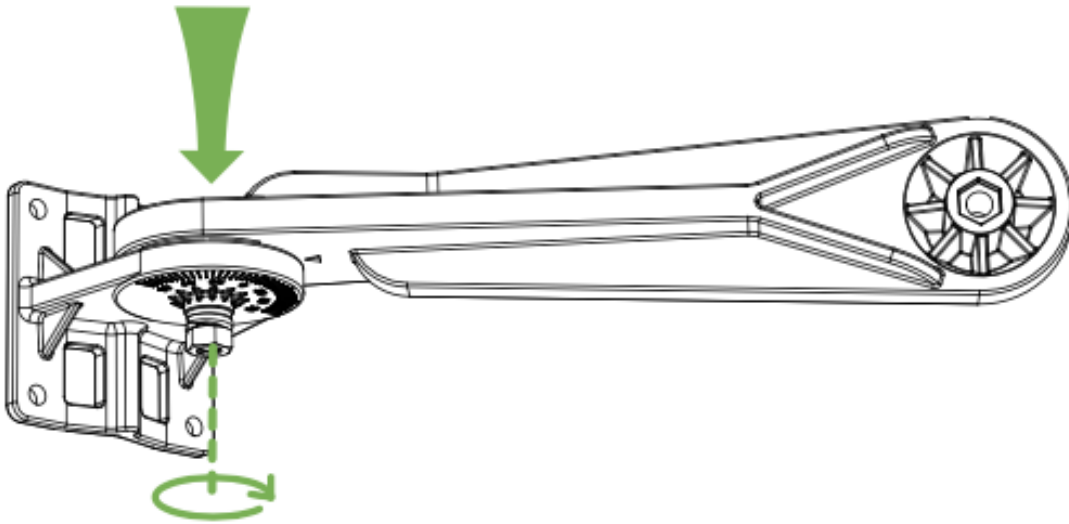
Swivel arm out of the way to mount the arm to a wall using the provided screws and anchors.



Step 2B: (Skip this step if using screws & anchors)

Step 3:

Adjust the arm to the desired direction and tighten the bolt fastening the arm and mount plate.



Step 4:

Assemble the bracket and antenna assembly to the arm using the bolt, lock washer, flat washer, and nut provided.

