
MA-MNT-ANT-1 Installation Guide

Overview

The MA-MNT-ANT-1 is a standard-length mounting arm designed for the MA-ANT-3-E* and MA-ANT-3-F* wide patch and narrow patch antennas.

Package Contents

The MA-MNT-ANT-1 is designed with an articulating arm that allows for mounting the MA-ANT-3-E* and MA-ANT-3-F* patch antennas to wall and ceiling surfaces. The mount comes with 5° mounting marks for precise coverage angles.



Standard Length Adjustable Arm

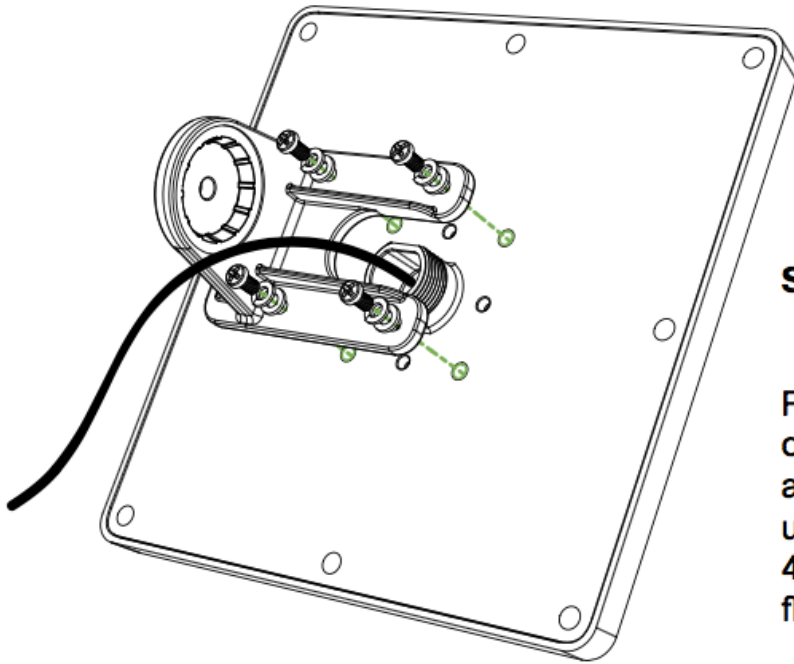


78-101mm Hose Clamps



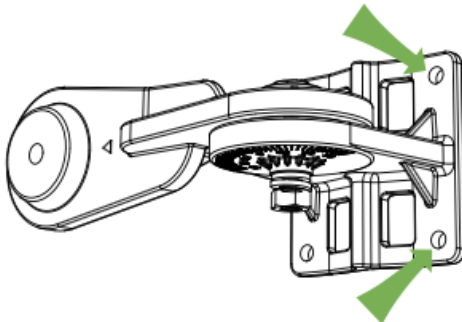
Mounting and Assembly Hardware

Installation



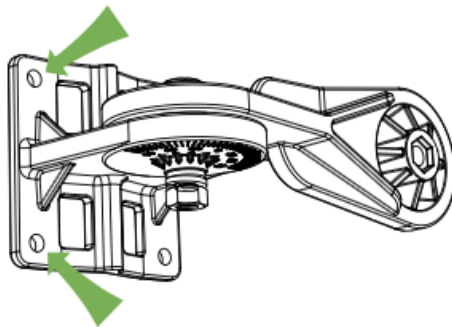
Step 1:

Fasten the MA-ANT-3-E or MA-ANT-3-F series antenna to the bracket using the 4x M6 bolts, 4x lock washers, and 4x flat washers provided.



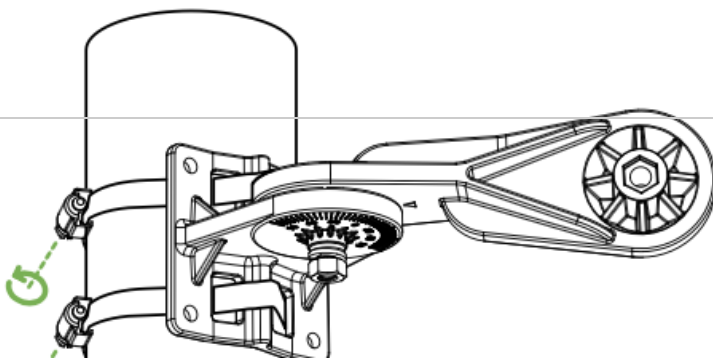
Step 2A: (Skip this step if using hose clamps)

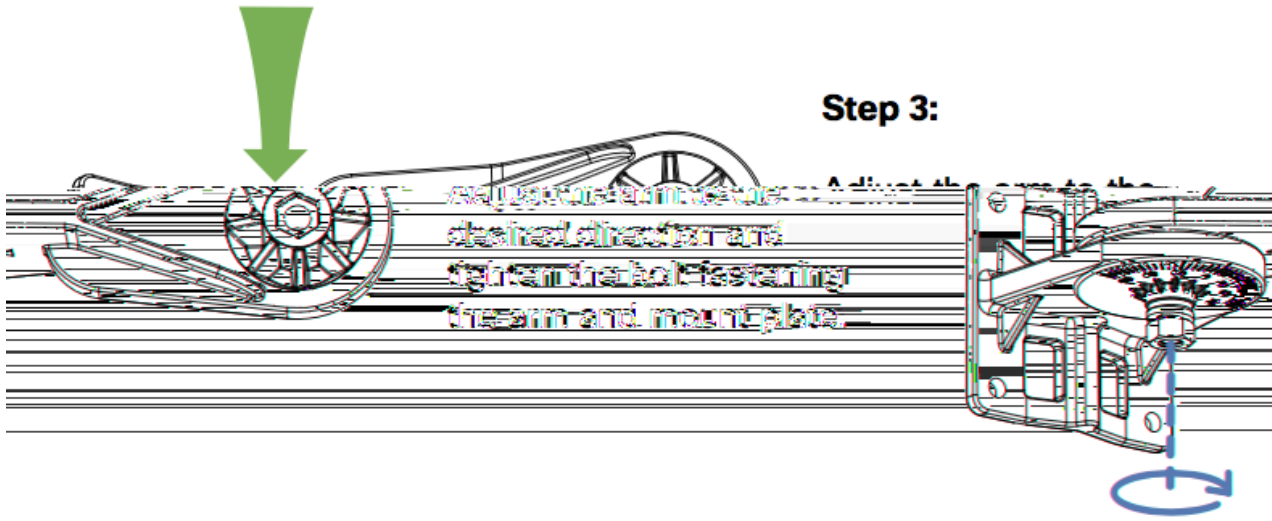
Swivel arm out of the way to mount the arm to a wall using the provided screws and anchors.



Step 2B: (Skip this step if using screws & anchors)

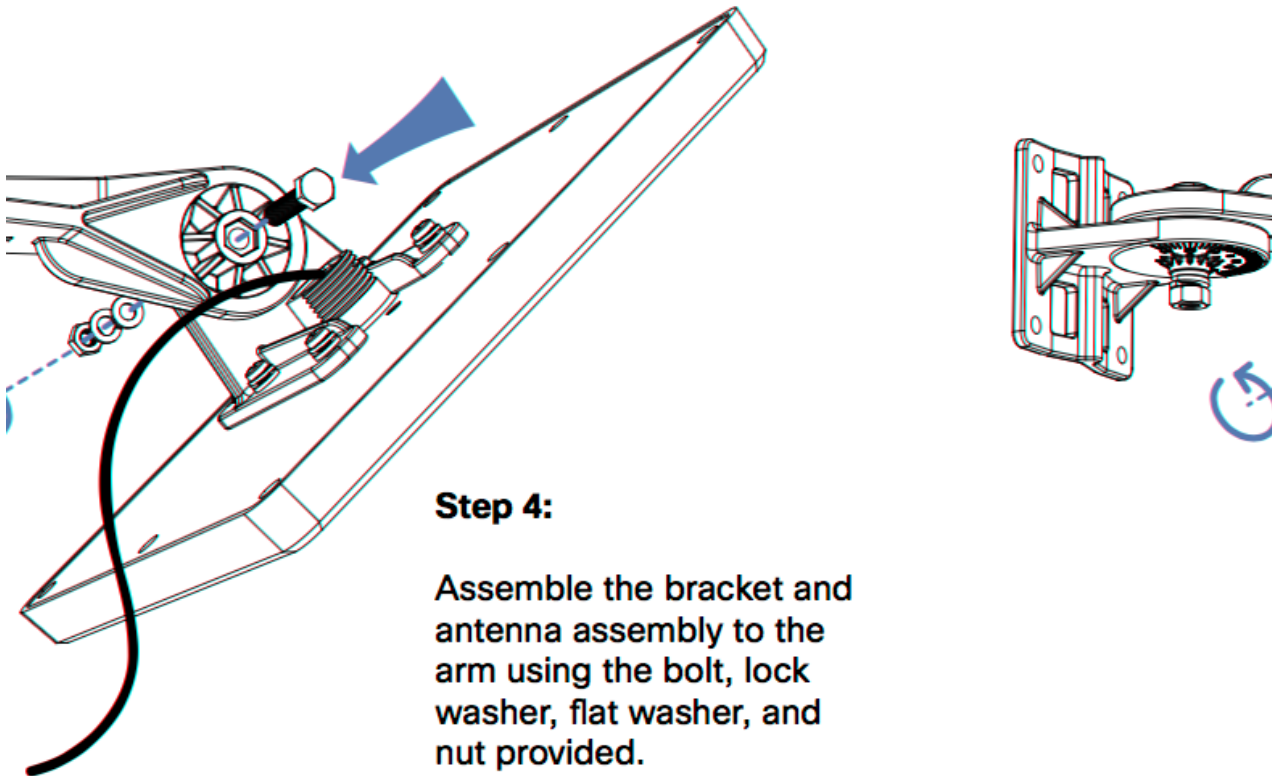
Mount the arm to a 78-101mm diameter pole by feeding the adjustable base clamps through the





Step 3:

Adjust the antenna
direction and
tighten the bolt fastening
the arm and mount plate.



Step 4:

Assemble the bracket and antenna assembly to the arm using the bolt, lock washer, flat washer, and nut provided.

Step 5:

Connect each antenna

